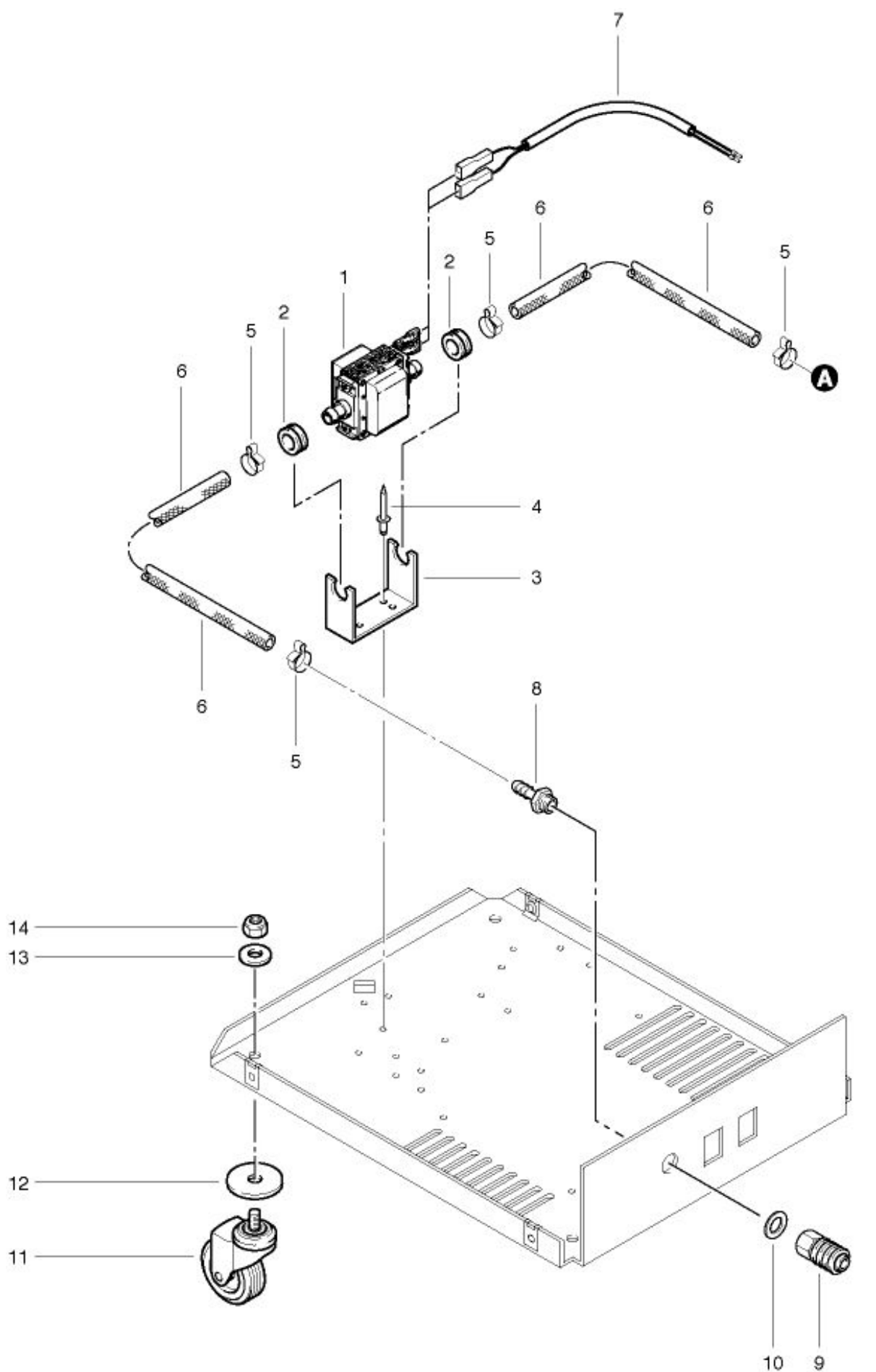


TW 350
Pump assembly



TW 350

Pump assembly

Pos.	Description	Reference
01	NDS-X pump	P...809
02	Grommet 14 mm	P...207A
03	Pumpholder	P...207B
04	Blind rivet dm 5x8 mm	P...485F
05	Clamp dm 14.5 mm	P...550A
06	Hose 12/6x600 mm	P...207E
07	Cable tree with diode	P...368
08	Fitting G1/4« «	P...524F
09	Quick connector G1/4« «	P...500A
10	Washer 14/24x2 mm	P...260
11	Castor dm 75x100 mm	P...204
12	Reinforcing plate 54x10.5x3 mm	P...204A
13	Washer M10	P...496S
14	Stop-nut M10	P...492Q