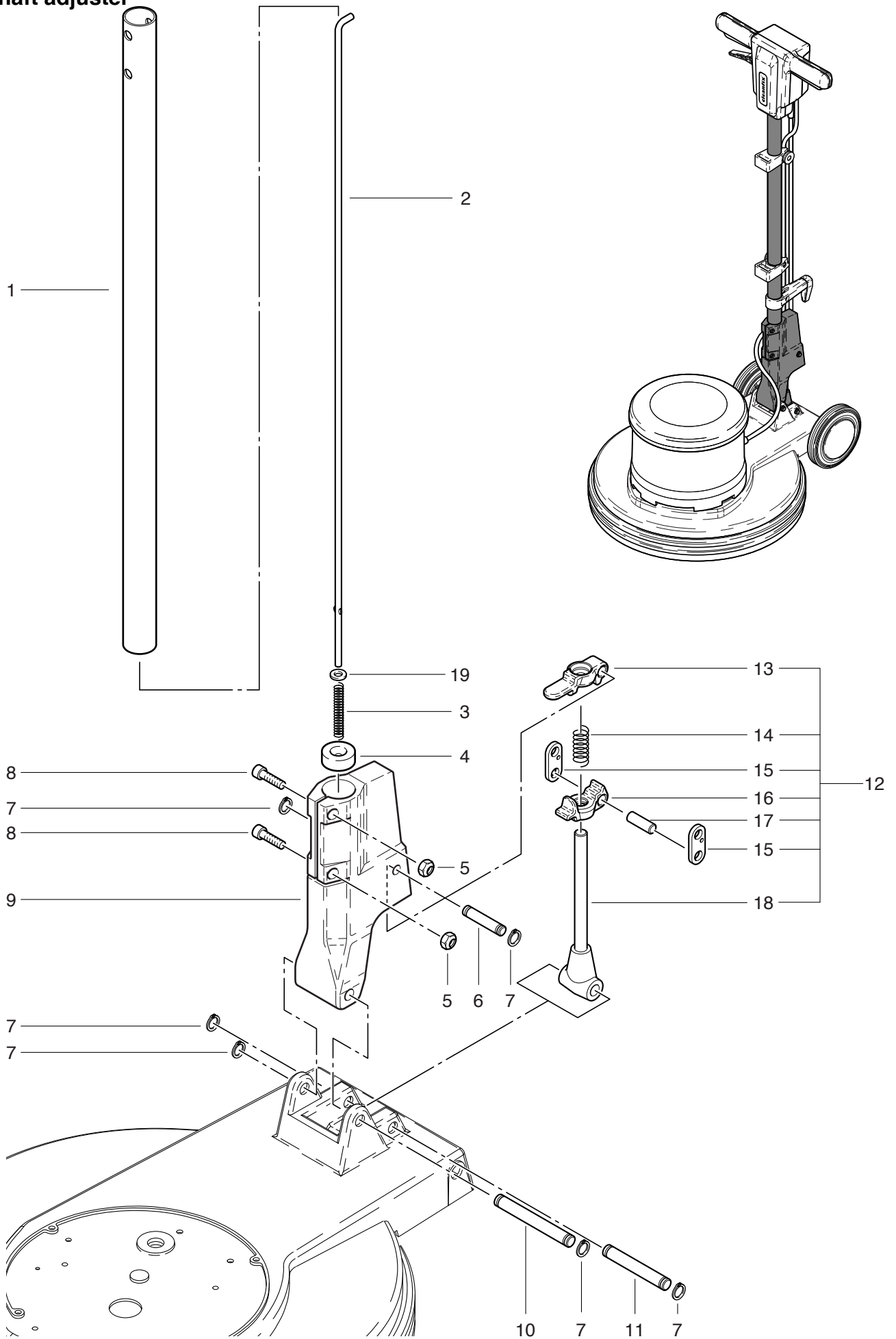


R 50-150
Shaft adjuster



R 50-150 Shaft adjuster

Pos.	Description	Reference
01	Shaft tube	742.410 L
02	Rod	742.212 L
03	Compressing spring	634711031
04	Guide sleeve	623711022
05	Nut M 6	P...493 K
06	Axle 10x50	672711018
07	Retaining washer	P...499 Q
08	Screw M 6x22	P...486 X
09	Shaft adjustment unit	741260
10	Axle	672711016
11	Axle	672711017
12	Shaft adjuster, complete including Items 13-18	2711133
13	Adjuster long	3711236
14	Compressing spring	634711020
15	Holder	4711014
16	Adjuster short	3711237
17	Axle 10x29	672711019
18	Adjuster shaft	741.270
19	Washer M 6	P...496 K