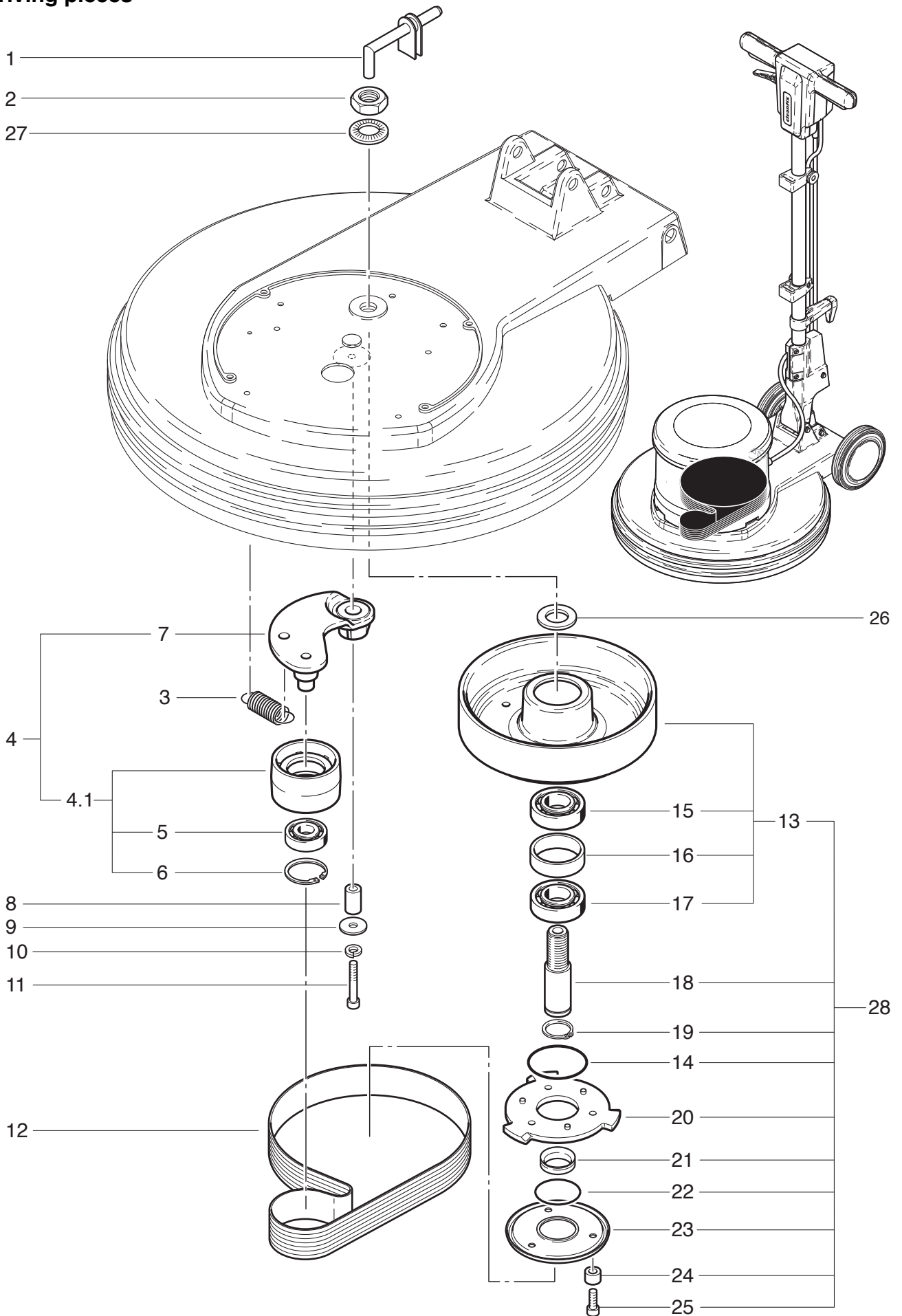


R 50-150
Driving pieces



R 50-150

Driving pieces

Pos.	Description	Reference
01	Solution tube	748.064
02	Hexagon nut M 20 x 1.5	P...492 R
03	Belt tensioner	741.069
04	Belt tension pulley compl. including items 4.1, 5-7	742.100
04.1	Belt tension pulley including items 5+6	742.116
05	Ball bearing	P...316 O
06	Retaining washer	P...513 G
07	Tensioner axle	742.133
08	Sleeve	742.135
09	Washer M8	P...496 Q
10	Lock washer M 8	P...498 N
11	Hexagon screw M 8x35	P...487 X
12	Poly-V belt	6390520
13	Drive pulley complete including Items 15-17	742.130
14	O-ring 55,25 x 2,62	P...964 A
15	Ball bearing	P...316 P
16	Washer	3611851
17	Ball bearing	P...316 Q
18	Main shaft	741.125
19	Retaining washer	P...513 D
20	Star wheel	742.141
21	V-formed ring	P...343 A
22	O-ring 42,52 x 2,62	P...964 B
23	Brush support	742.128
24	Distance ring 6x8/4 mm	742.129
25	Hexagon screw M 6x20	P...487 S
26	Washer	430.151
27	Locking screw	P...498 Q
28	Belt wheel-pre-mounts cpl. including items 13-25	741.126