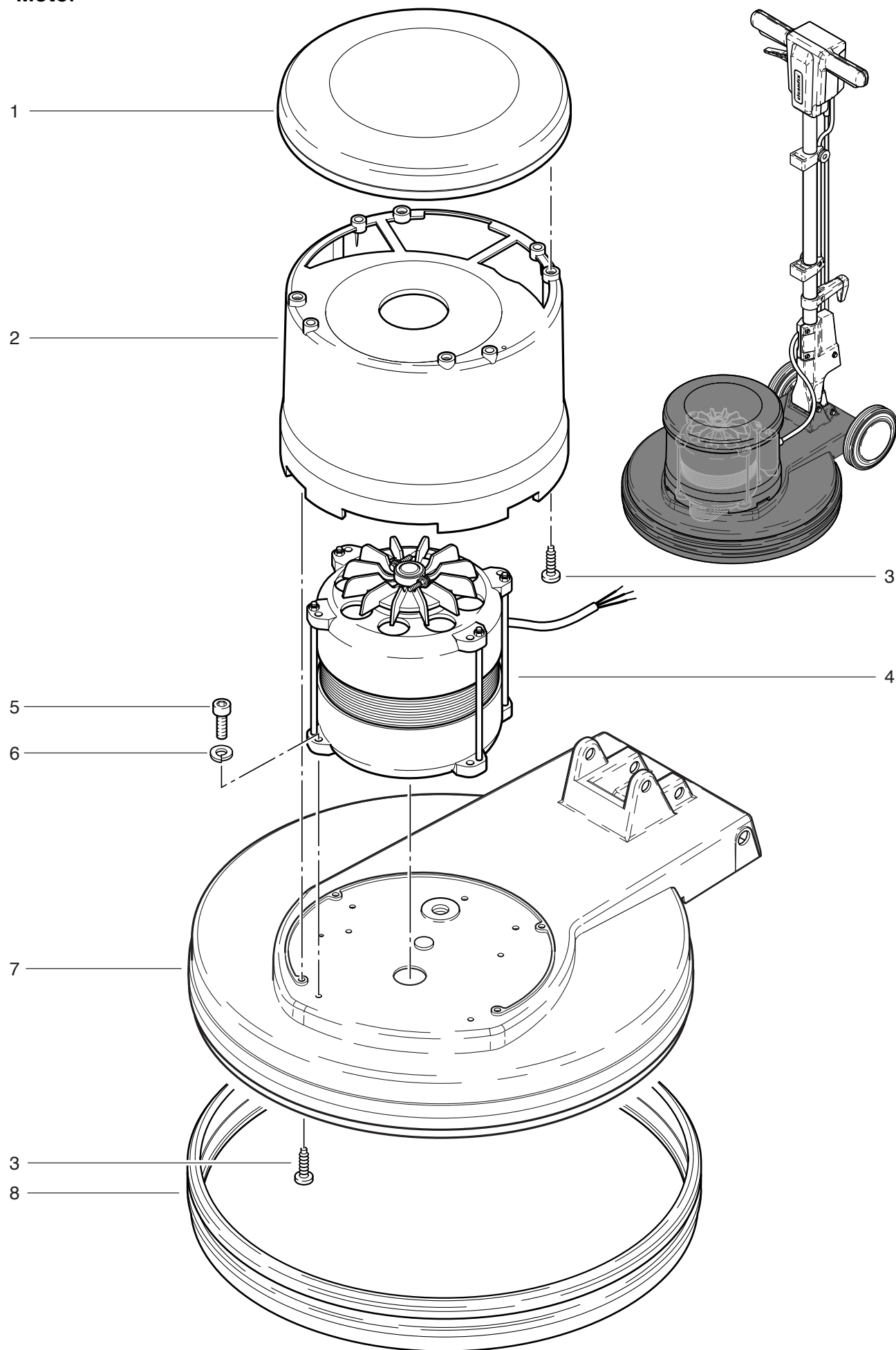


**R 50-150
Motor**



R 50-150 Motor

Pos.	Description	Reference
01	Red cap	748.067
02	Motor housing	748.066
03	PT screw KA 50x25	P...515 L
04	Motor complete	742.121
05	Hexagon socket screw	P...486 T
06	Spring washer M 6	P...498 U
07	Lower housing	730.055
08	Buffer for housing	730.054