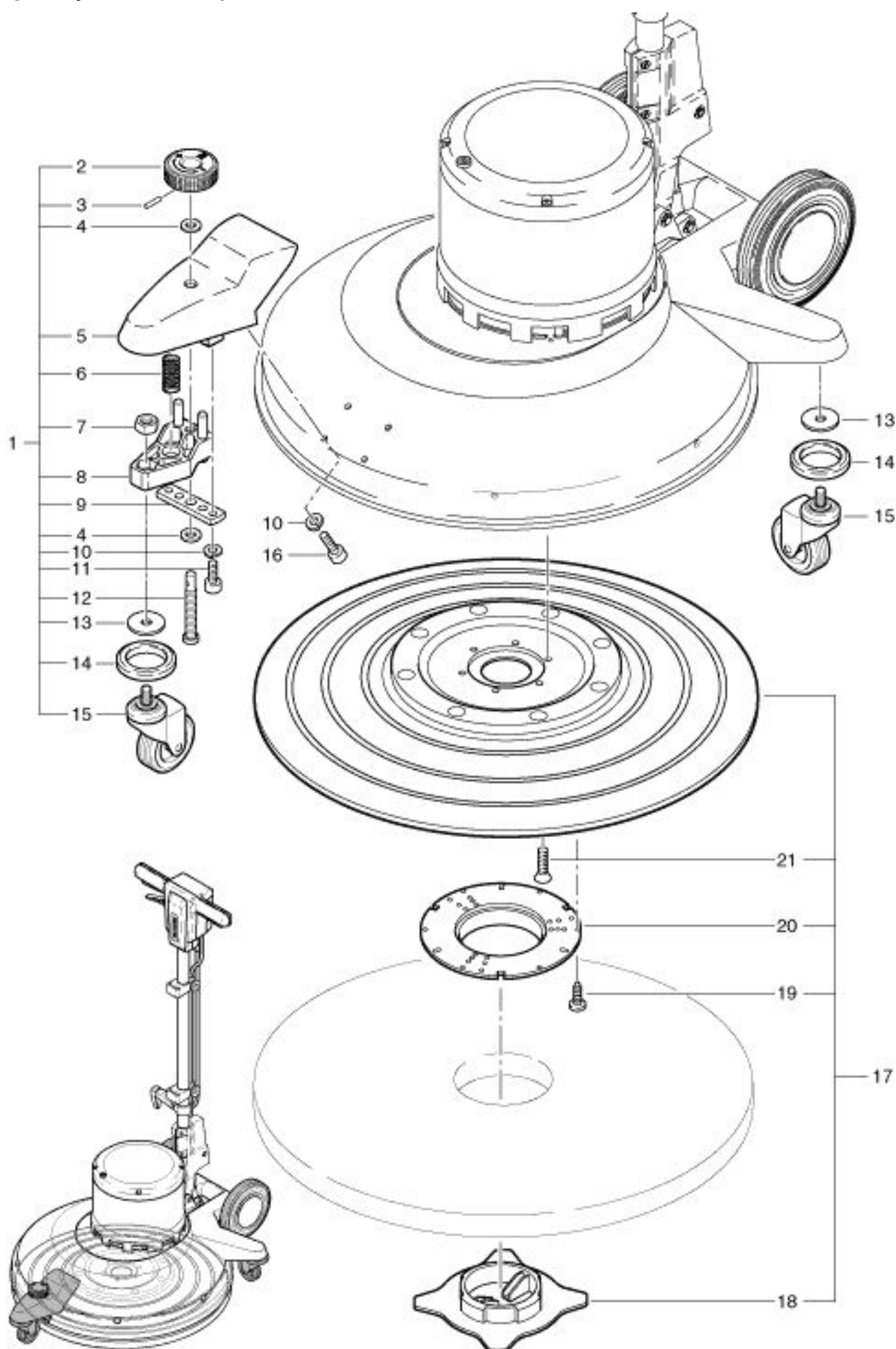


**R 43 -900**  
**Height adjustment and pad holder**



**H** herstellung und Pad-Antriebsscheibe / Reglage de hauteur  
 et plateau d'entraînement / Height adjustment and pad holder

## R 43 -900

### Height adjustment and pad holder

<b>Pos.</b>	<b>Description</b>	<b>Reference</b>
01	Castor holder complete in red including Items 2-15	2711368
02	Grip	3711266
03	Clamping sleeve 3x20	P...512 V
04	Washer M 10	P...496 Z
05	Wheel housing red	3711261
06	Compression spring	6345110
07	Hexagon nut M 10	P...491 N
08	Adjusting piece	3711262
09	Guide plate	3711263
10	Lock washer M 6	P...498 U
11	Cylindrical screw M 6x20	P...486 P
12	Special screw	672711265
13	Washer 10,5x48x2 mm	4711264
14	Rubber ring	4011746
15	Castor	6415352
16	Cylindrical screw M 6x18	P...486 O
17	Drive plate cpl. R 43 including Items 18-21	6925313
17.	Drive plate cpl. R 53 including Items 18-21	6925310
18	Centergrip	6925311
19	PT-screw KA 40x16	P...516 C
20	Carrier	6925312
21	Countersunk screw M 6x20	P...480H