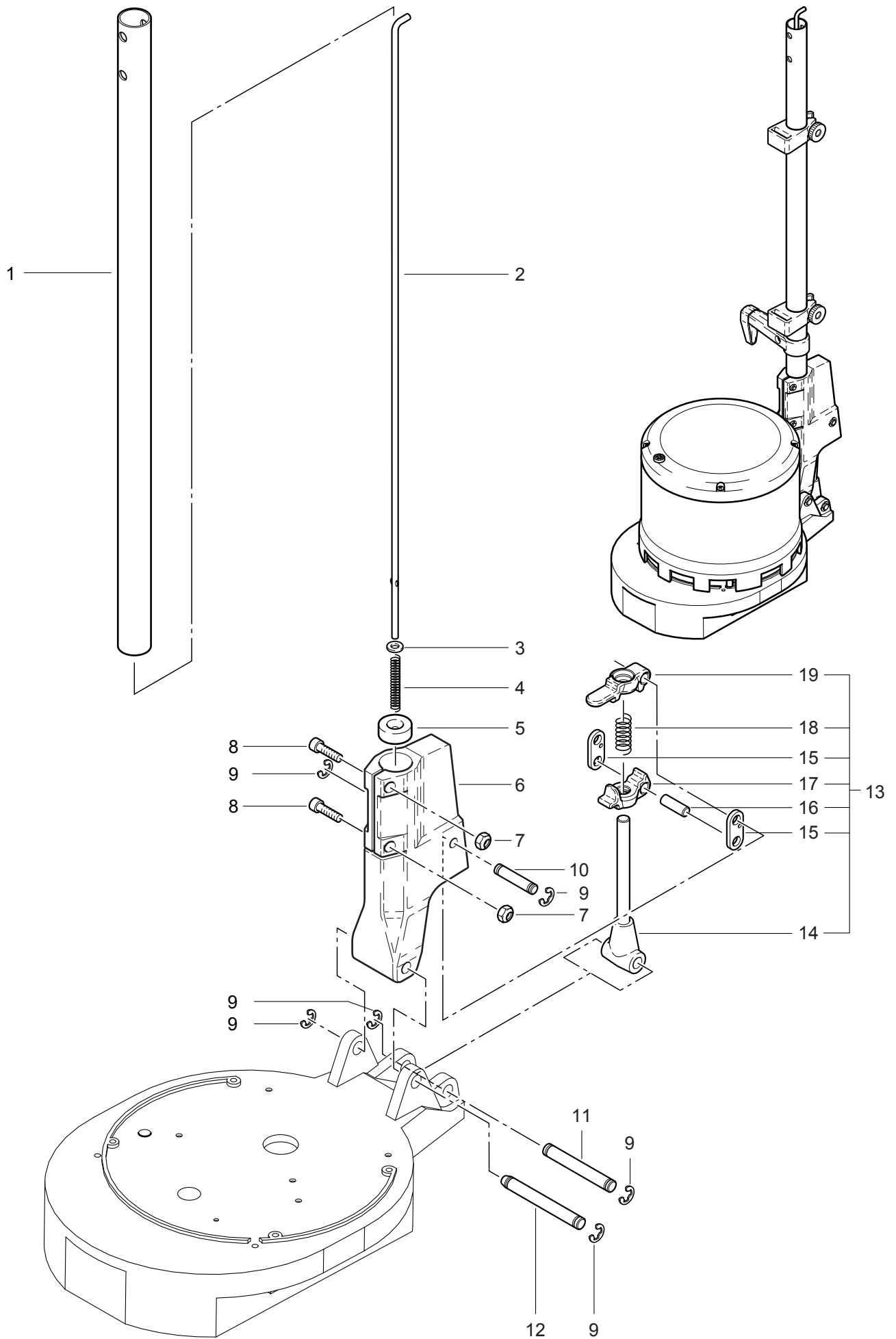


R 43 -900
Shaft



R 43 -900 Shaft

Pos.	Description	Reference
01	Shaft tube	742.410 L
02	Rod	742.212 L
03	Compressing spring	634711031
04	Washer M 6	P...496 K
05	Guide sleeve	623711022
06	Shaft adjustment unit red	741.260
07	Nut M 6	P...490 D
08	Screw M 6x25	P...486 T
09	Retaining washer	P...499 Q
10	Axle 10x50	672711018
11	Axle	672711017
12	Axle	672711016
13	Shaft adjuster, complete including Items 14-19	2711133
14	Adjuster shaft	3711011
15	Holder	4711014
16	Axle 10x29	672711019
17	Adjuster short	3711237
18	Compressing spring	634711020
19	Adjuster long	3711236
20	Carrier	6925312
21	Countersunk screw M 6x20	P...480 H