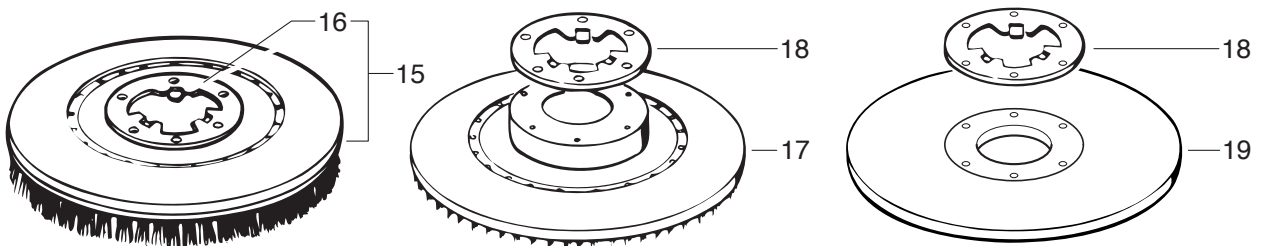
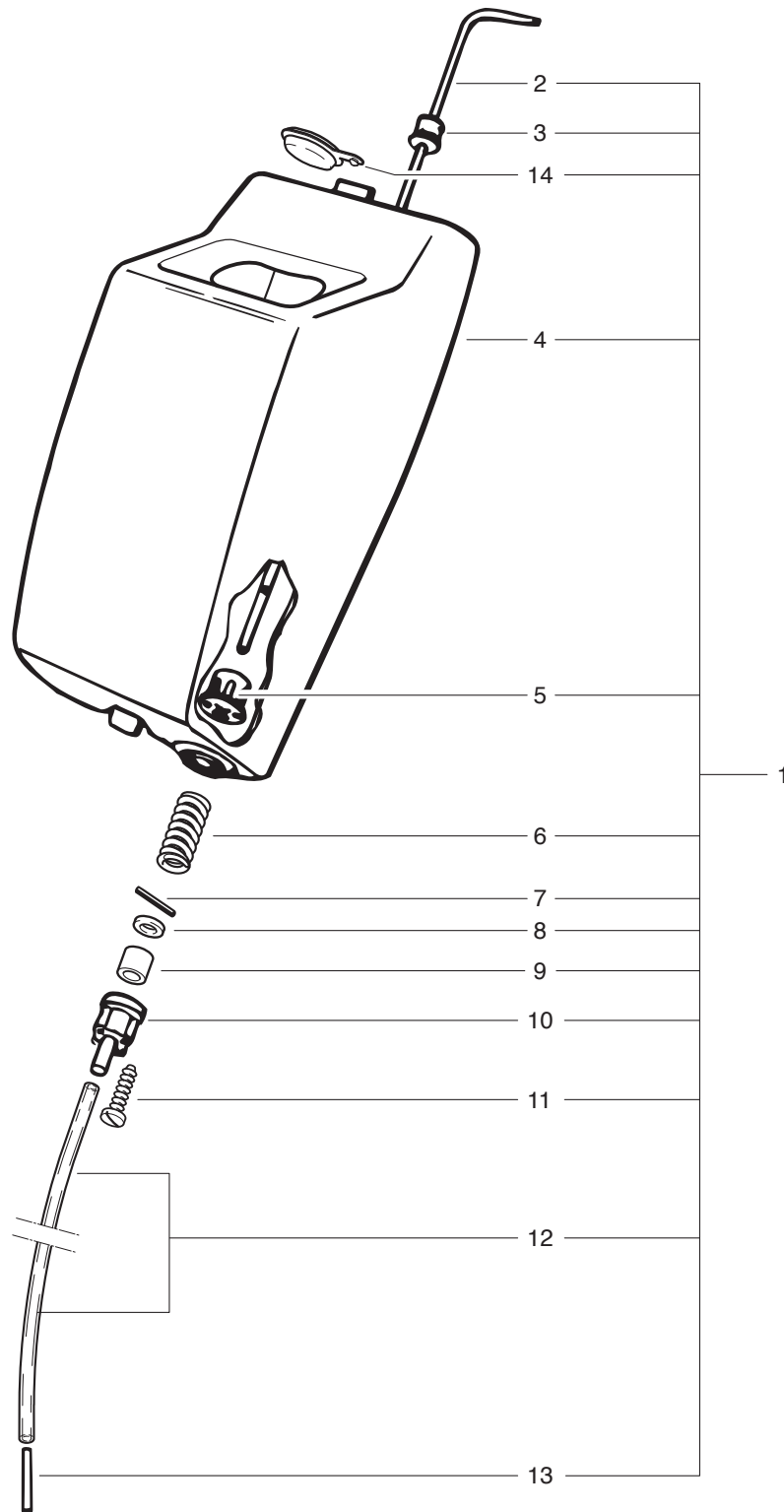


G 43-90-145-175
Solution tank



G 43-90-145-175

Solution tank

Pos.	Description	Reference
01	Solution tank, complete including Items 2-14	719.000
02	Operating handle	719.110
03	distributor cap	6605211
04	Solution tank	719.100
05	Valve body, top	4112144
06	Compression spring	634112285
07	Straight pier 3x24	P...512 N
08	Washer M 4	P...496 D
09	Buffer sleeve	6475158
10	Valve body, bottom	4112143
11	Sheet metal screw 3,5x38	P...483 N
12	Plastic hose	3112286
13	Tube	675112152
14	Cover	300.731
15	Wet cleaning brush, complete	691611288
16	Brush drive plate	3611021
17	Drive plate	692611875
18		742.077 C
19		742.077