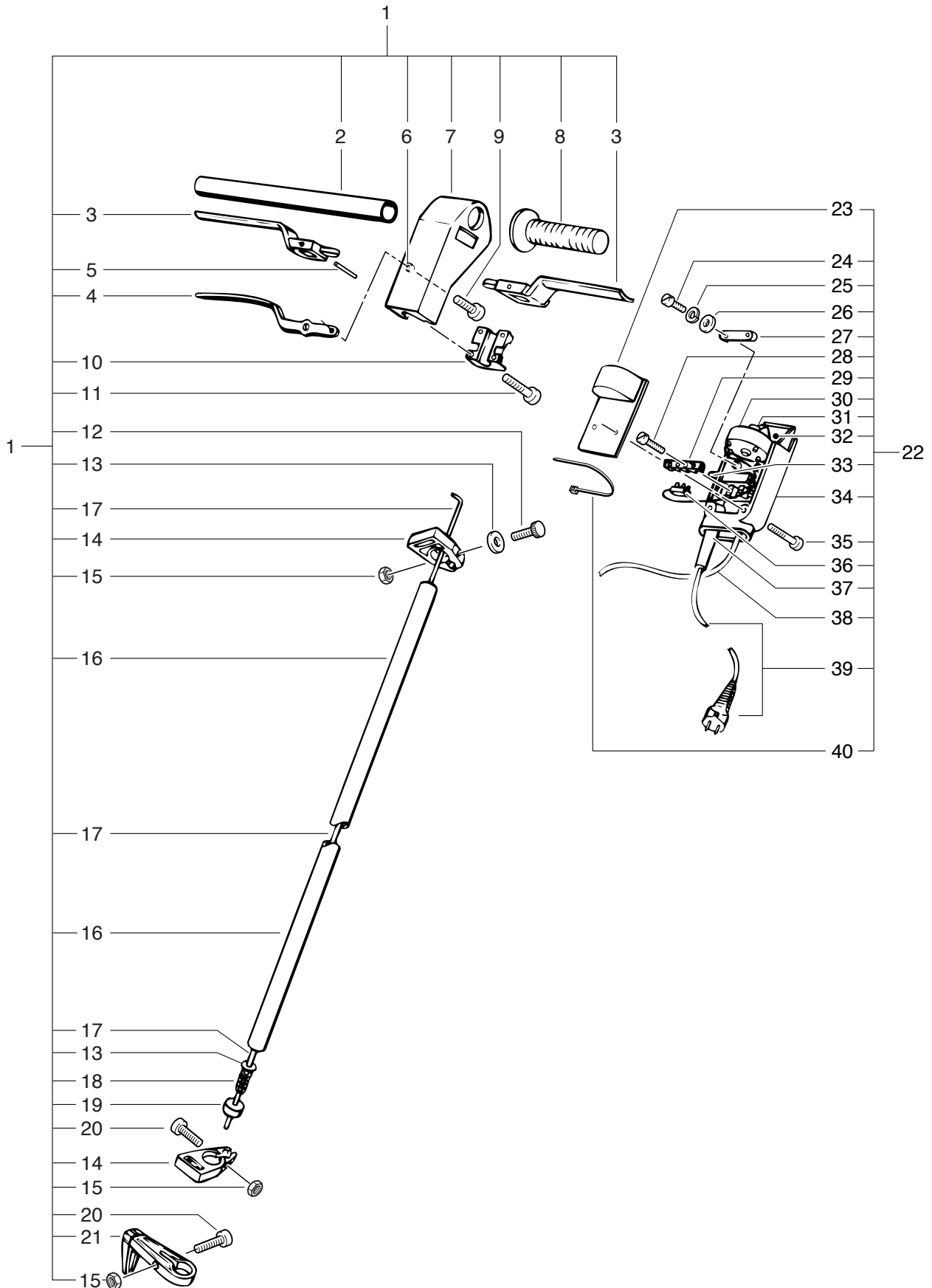


G 43-90-145-175
Shaft



G 43-90-145-175 Shaft

Pos.	Description	Reference
01	Shaft, complete	2711218
02	Handle tube	675711041
03	Switch handle	3711007
04	Shaft adjustment lever	3711008
05	Straight pin 6x50	P...512M
06	Guide socket	675711025
07	Top part	3711003
08	Grip	4611195
09	Screw M 6x20	P...486P
10	Shaft tube shackle	4711005
11	Cheese-head screw M6	P...486W
12	Milled screw	6321596
13	Washer M6	P...496K
14	Solution tank holder	4711231
15	Hexagon nut M6	P...491E
16	Shaft tube	675711021
17	Rod	3711023
18	Compression spring	634711031
19	Guide sleeve	623711022
20	Screw M 6x25	P...486T
21	Cable hook	3711029
22	Connection box compl. 90/145	2611840
22	Connection box compl. 175	2611869
23	Connection box lid	4711002
24	Screw M 4x8	P...478B
25	Spring washer M4	P...498C
26	Washer M4	P...497D
27	Earthing bridge	4211087
28	Screw M 4x20	P...515G
29	Cable clamp	4711004
31	Switch	6650454
32	Switching-off device	2711171
33	Overload circuit breaker 90	6640473
33	Overload circuit breaker 145/175	6640482
34	Connecting box housing	3611238
35	Screw M 4x40	P...477I
36	Insulating screw joint	6584019
37	Antikink sleeve	660011014
38	Motor cable	655611839
39	Mains cable (D)	656711039
39	Mains cable (CH)	65671103901
40	Cable ring	6584151