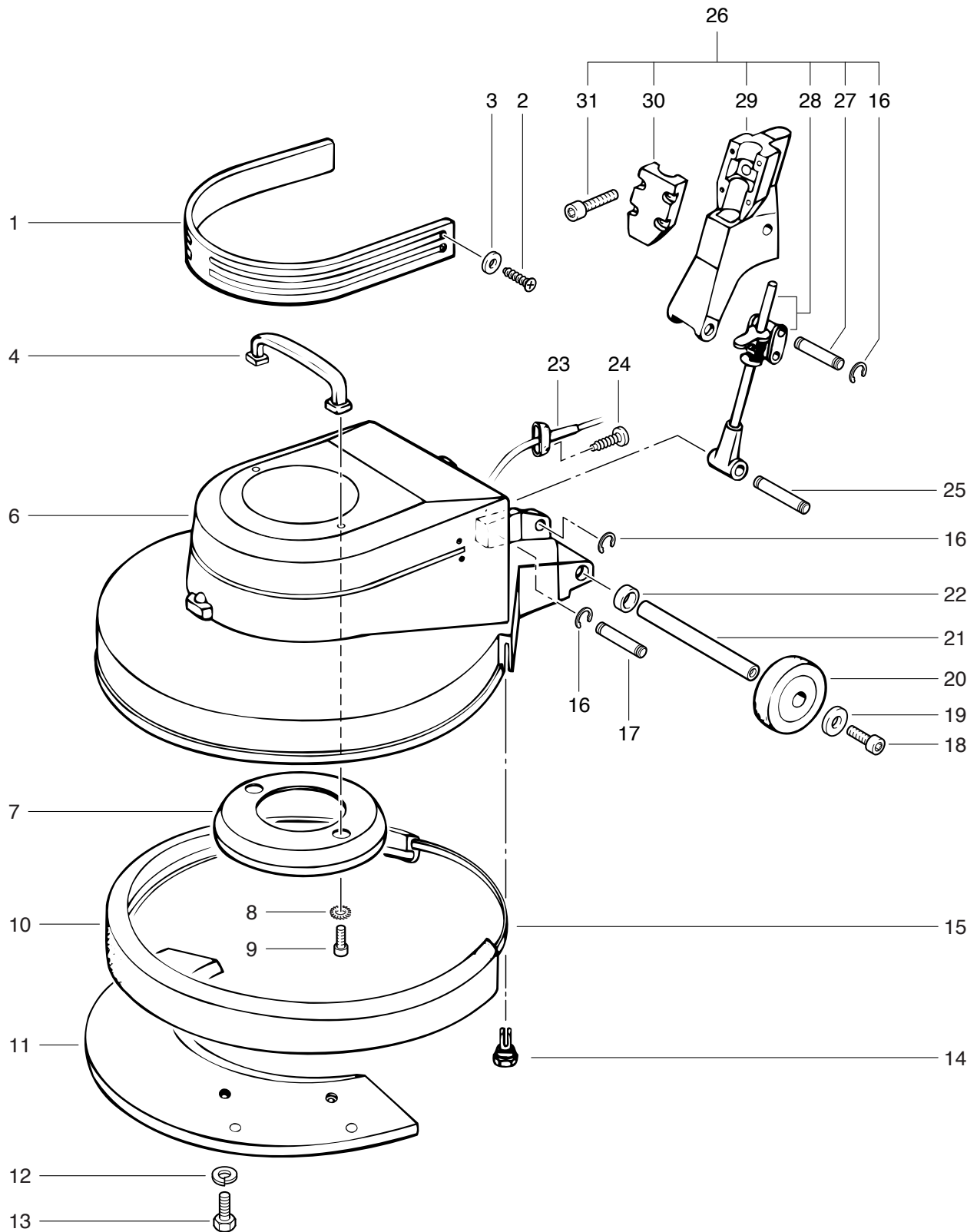


G 43-90-145-175
Machine housing



G 43-90-145-175 Machine housing

| Pos. | Description | Reference |
|-------------|------------------------------------|------------------|
| 01 | Decorative rubber strip | 647411019 |
| 02 | Spax universal screw M 5x16 | P...515T |
| 03 | Washer M5x20 | P...498I |
| 04 | Handle (for S 401/90+145 rpm only) | 6321595 |
| 06 | Machine housing | 3611254 |
| 07 | Deflector panel | 6 4611123 |
| 08 | Serrated lock washer M5 | P...499C |
| 09 | Hexagon socket screw M 5x16 | P...486E |
| 10 | Bumper | 647611198 |
| 11 | Extra weight | 693611239 |
| 12 | Spring washer M6 | P...498U |
| 13 | Hexxagon head screw M 6x20 | P...470X |
| 14 | Clamping pin | 672211143 |
| 15 | Clamping strip | 673611165 |
| 16 | Lock washer ø 8 | P...499Q |
| 17 | Axle | 672711016 |
| 18 | screw DIN 912 M8 x 55 A2 | P...48^9 H |
| 19 | Washer M8 | P...496P |
| 20 | Wheel | 6415347 |
| 21 | Wheel axle | 672211061 |
| 22 | Spacertube | 675611219 |
| 23 | Antikink sleeve | 6605178 |
| 24 | Taptite screw M 4x25 | P...515V |
| 25 | Axle | 672711017 |
| 26 | Shaft, lower part, complete | 2711015 |
| 27 | Axle | 672711018 |
| 28 | Shaft adjuster, complete | 2711133 |
| 29 | Shaft adjustment unit | 3711009 |
| 30 | Cover | 3711010 |
| 31 | Hexagon socket screw M 6x35 | P...486S |