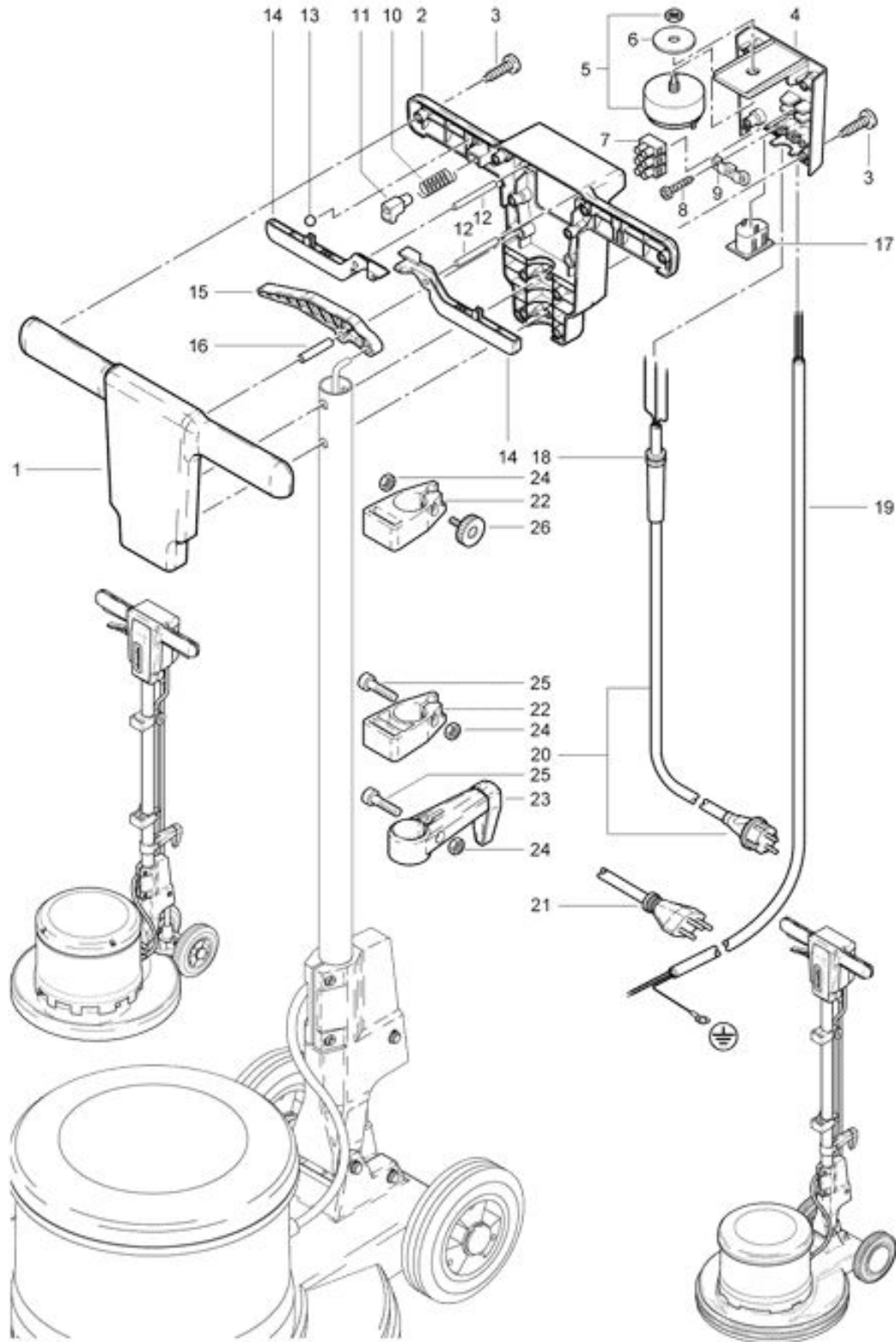


Duo-Speed, up to machine no. 8546
Top part front side



Duo-Speed, bis Masch.Nr. 8546
Top part front side

Pos.	Description	Reference
01	Top part front side	741.201
02	Top part back side	741.202
03	PT-screw KA 50x25	P...515 L
04	Connection box	741.310
05	Switch	6650454
06	Washer Ø 12x37x3	P...496
07	Schraubklemme mit DS Hose clamp	P...383 N
08	PT screw KA 40x25	P...516 O
09	Cable clamp	742.321
10	Belt	742.209
11	Security switch	742.208
12	Straight pin Ø 6x50	P...512 M
13	Ball dm 8 mm	6440641
14	Switch handle	741.204
15	Shaft adjustment lever	741.207
16	Straight pin Ø 8x40	P...512 P
17	Cover only	741.216
18	Antikink sleeve	660011014
19	Cable-tree	742.313
20	Mains cable 12,5m VDE	656711039
21	Mains cable 12,5m SEV	65671103901
22	Solution tank holder	4711231
23	Cable hook	3711029
24	Hexagon nut M 6	P...490 D
25	Hexagon socket screw M 6x25	P...486 T
26	Star handle Ø 32 M 6x25	P...253 G