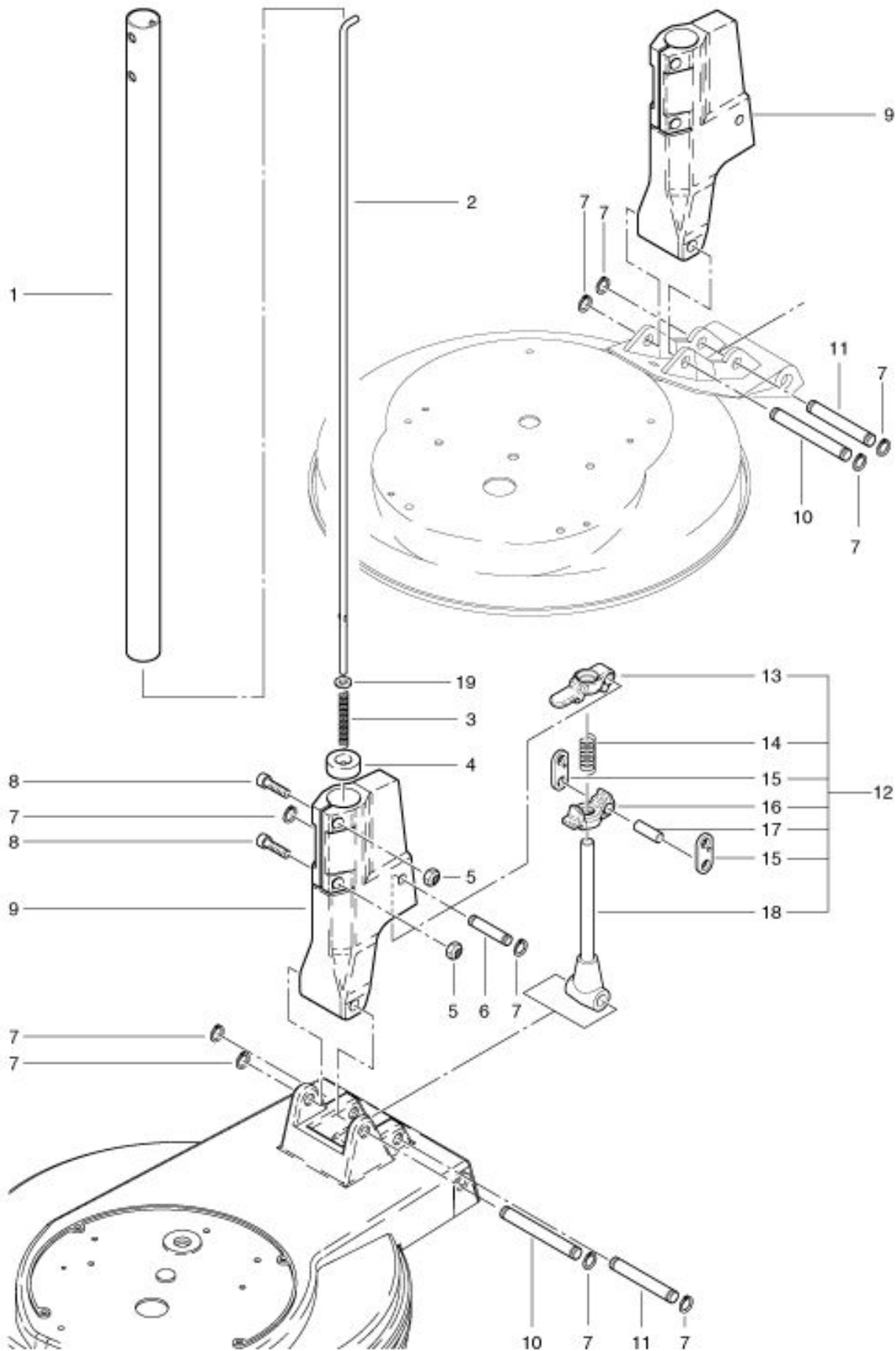


Duo-Speed, up to machine no. 8546  
 Shaft adjuster



**Duo-Speed, bis Masch.Nr. 8546**  
**Shaft adjuster**

<b>Pos.</b>	<b>Description</b>	<b>Reference</b>
01	Shaft tube	742.410
02	Rod	742.212
03	Compressing spring	634711031
04	Guide sleeve	623711022
05	Nut M 6	P...493 K
06	Axle 10x50	672711018
07	Retaining washer	P...499 Q
08	Screw M 6x22	P...486 X
09	Shaft adjustment unit	741.260
10	Axle	672711016
11	Axle	672711017
12	Shaft adjuster, complete including Items 13-18	2711133
13	Adjuster long	3711236
14	Compressing spring	634711020
15	Holder	4711014
16	Adjuster short	3711237
17	Axle 10x29	672711019
18	Adjuster shaft	3711011
19	Washer M 6	P...496 K