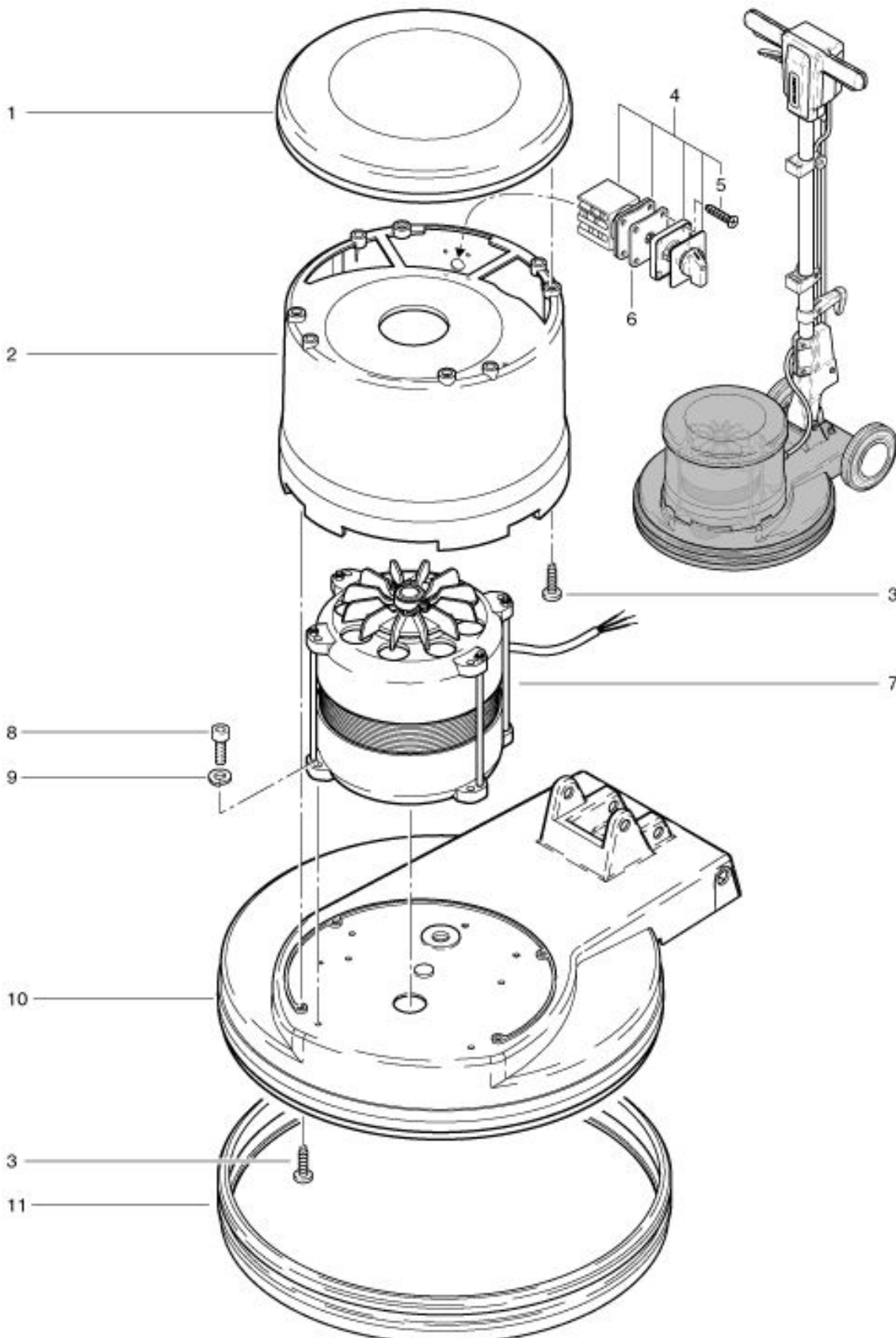


Duo-Speed, up to machine no. 8546
Motor as from machine no. 8334.001



Motor / Moteur / Motor

R 44-Duo Speed ab Maschine Nr. / partir de appareils no. / as from machine no. 8334.001 B 2-10.2003

Duo-Speed, bis Masch.Nr. 8546
Motor as from machine no. 8334.001

Pos.	Description	Reference
01	Red cap	748.067
02	Motor housing	748.065
03	screw WN 1452 K40 x 12\r\n	P516P
04	Switch M 10 H EU4	790.310
05	PT screw SK.m.KS 4,7x20 mm	P...515 K
06	Intermediate piece	790.252
07	Motor complete	790.300
08	Hexagon socket screw M 6x25	P...486 T
09	Spring washer M 6	P...498 U
10	Lower housing	741.055
11	Buffer for housing	741.054