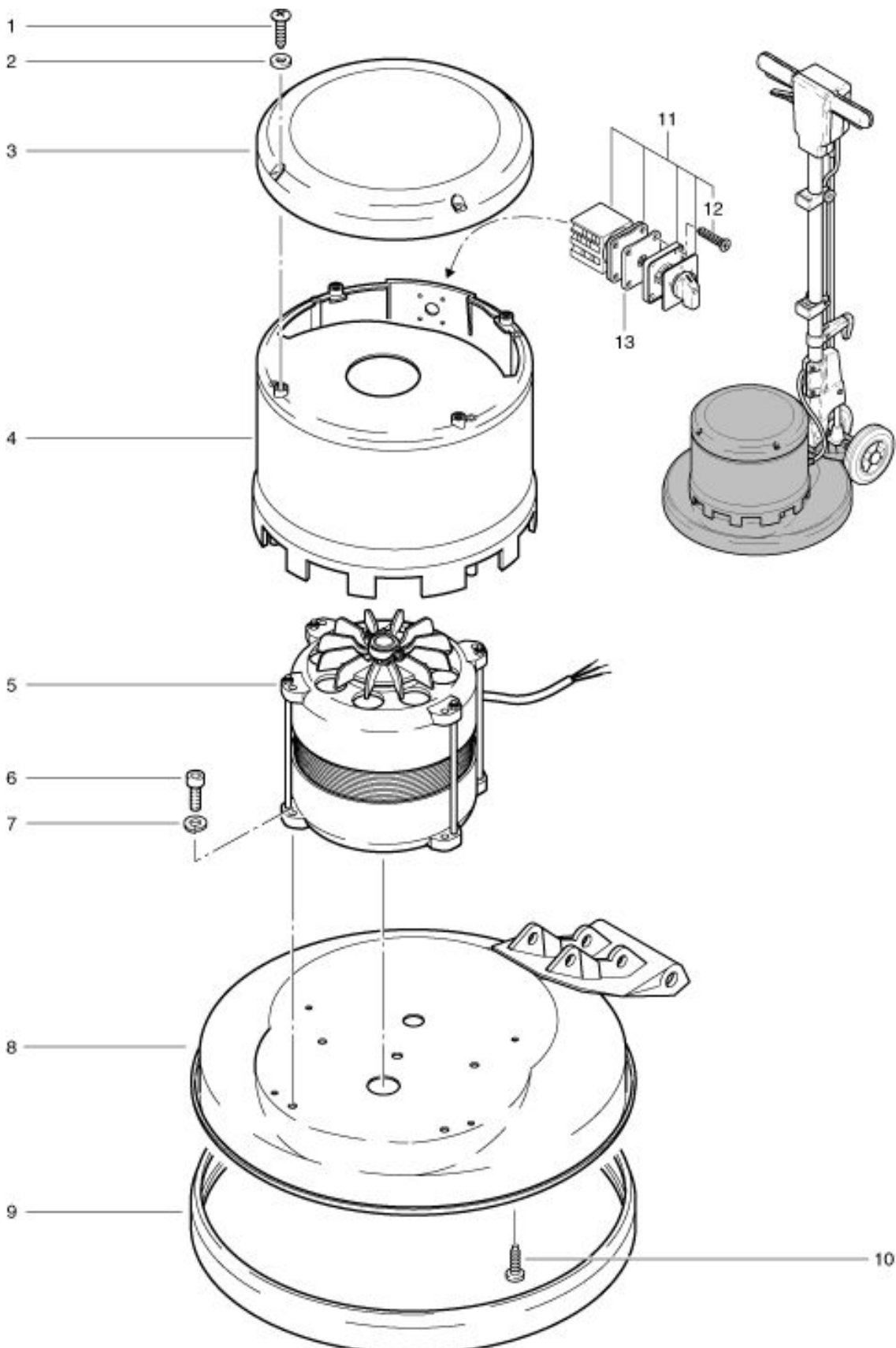


Duo-Speed, up to machine no. 8546  
Motor up to machine no. 8333



**Duo-Speed, bis Masch.Nr. 8546****Motor****up to machine no. 8333**

| <b>Pos.</b> | <b>Description</b>          | <b>Reference</b> |
|-------------|-----------------------------|------------------|
| 01          | Screw M 5x10                | P...481 Z        |
| 02          | Washer M 5                  | P...496 G        |
| 03          | Red cap                     | 47114065         |
| 04          | Motor housing               | 790.251          |
| 05          | Motor complete              | 790.300          |
| 06          | Hexagon socket screw M 6x25 | P...486 T        |
| 07          | Spring washer M 6           | P...498 U        |
| 08          | Lower housing               | 741.060          |
| 09          | Buffer for housing          | 741.053 A        |
| 10          | screw WN 1452 K40 x 12\r\n  | P516P            |
| 11          | Switch M 10 H EU4           | 790.310          |
| 12          | PT screw SK.m.KS 4,7x20 mm  | P...515 K        |
| 13          | Intermediate piece          | 790.252          |