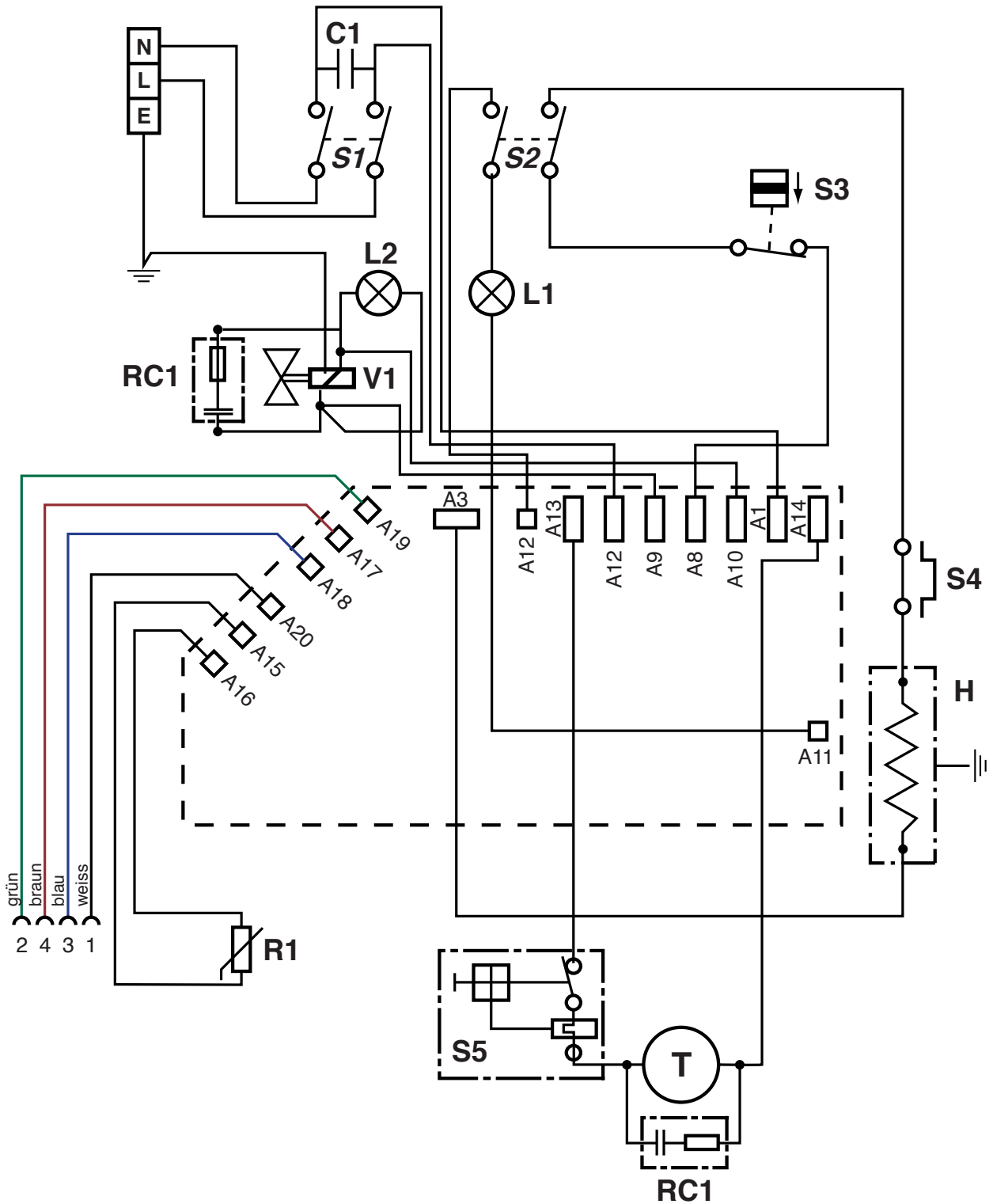


# Wiring plan DS 3



## DS 3

### Wiring plan

<b>Pos.</b>	<b>Description</b>	<b>Reference</b>
C1	Capacitor 0,33uF	P...393B
H	Heating	
L1	Signalling lamp (red)	P...355
L2	Signalling lamp (green)	P...356
R1	NTC resistor	
RC1	Resistance-capacitance 0,1uF + 1?	P...392A
S1	Main switch	P...240R
S2	Heater switch	P...240
S3	Pressure switch	028.222
S4	Thermostat	028.255
S5	Motor protection switch	028.338
T	Vacuum motor	P...895
V1	Magnetic valve	028.221