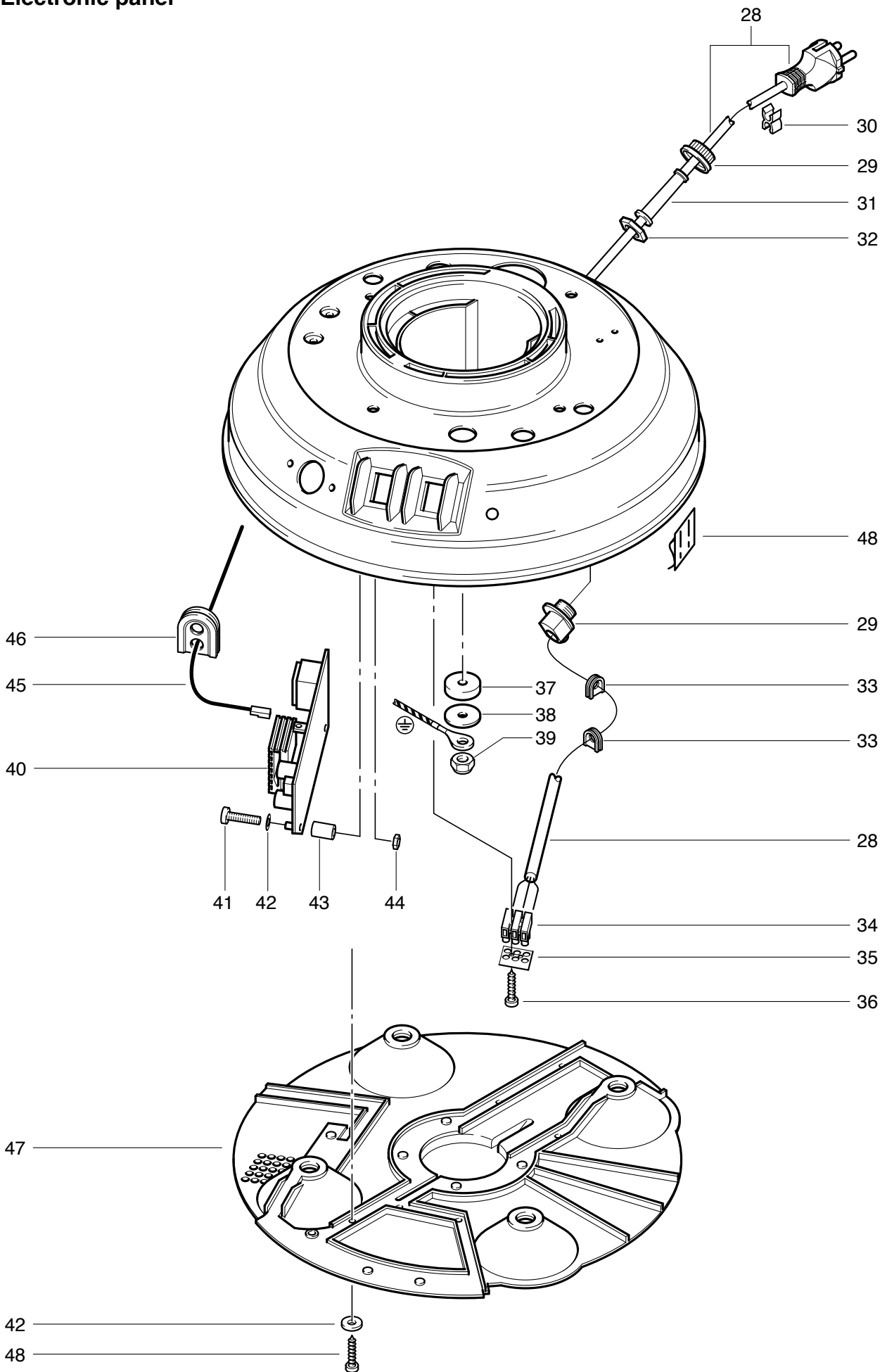


DS 3
Electronic panel



DS 3

Electronic panel

Pos.	Description	Reference
28	Electr. Connection 7,5 m SEV	P...275
28	Electr. Connection 7,5 m VDE	P...288D
29	Cable clamp	P...279
30	Cable clamp	P...278
31	Cable grommet VDE	P...280E
31	Cable grommet SEV	P...280
32	Conter nut PG 9	P...279H
33	Grommet 14x16 mm	P...014A
34	Cable strand with terminal	25389
35	Marking plate	P...394
36	Panhead tapped screw 2,9x19 mm	P...481T
37	Isolation ring	28015
38	Washer 30x7x2 mm	P...496Z
39	Stopp-nut M6	P...493K
40	Electronic print	034.318
41	Cyl. Screw M 3x16 mm	P...477A
42	Washer M3	P...497J
43	Distance ring dm 3,2x6x7,5 mm	P...509A
44	Stopp-nut M3	P...492B
45	Harness	028.325
46	Seal 42x45 mm	30014
47	Bottom plate with abs. sheet	P...023
48	Panhead tapped screw 2,9x13 mm	P...482F