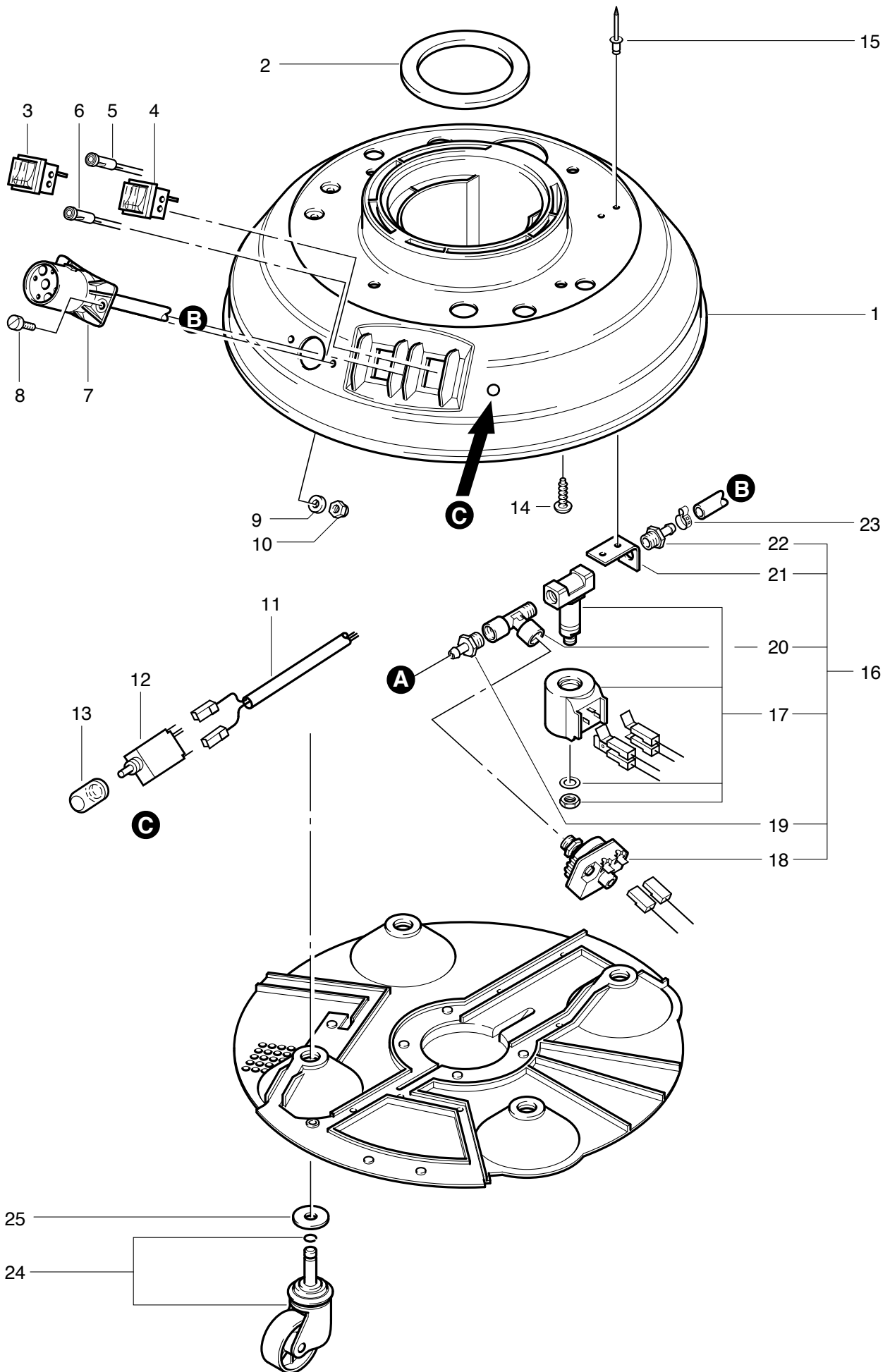


**DS 3
Housing**



DS 3 Housing

| Pos. | Description | Reference | |
|-------------|--------------------------------------|------------------|---------|
| 01 | Lower housing | 028.210 | |
| 02 | Packing ring 105/78x10 mm | P...013 | |
| 03 | Tumbler switch yellow | P...240 | |
| 04 | Tumbler switch orange 230 V | P...240 | |
| 05 | Signal lamp red | P...355 | |
| 06 | Signal lamp green | P...356 | |
| 07 | Socket for steam and electr. | 028.230 | |
| 08 | Black PanHead screw M 5x12 mm | P...475 K | |
| 09 | Washer M5 | P...496 G | |
| 10 | Ecrou M5 | P...492 G | |
| 11 | Cable tree | 028.339 | |
| 12 | Motor protection switch 4,5 A | 028.340 | |
| 13 | Security cover | 500.957 A | |
| 14 | PT-screw 5x14 mm | P...482 H | |
| 15 | Blind rivet 5x8 mm | P...485 F | |
| 16 | Pressure controle complete including | Items 16-22 | 028.220 |
| 17 | 2-way magnetic valve | 028.221 | |
| 18 | Pressure regulator | 028.222 | |
| 19 | Hose connection nipple (entry) | 028.224 E | |
| 20 | T-formed connection 1/4« « | P...533 A | |
| 21 | Holder for magnetic control | 028.223 | |
| 22 | Hose connection nipple (exit) | 028.224 A | |
| 23 | Hose clamp 14,5 mm | P...550 A | |
| 24 | Castor dm 55 mm | P...028 A | |
| 25 | Washer M10 | P...496 S | |